

SQG3-23 Base Sounder VAD



0359-CPR-00438

Compliance EN54-3; EN54-23:2010

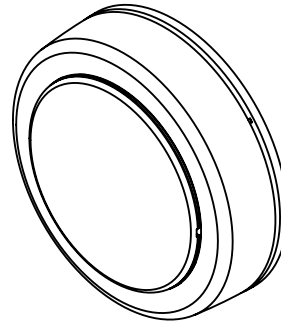
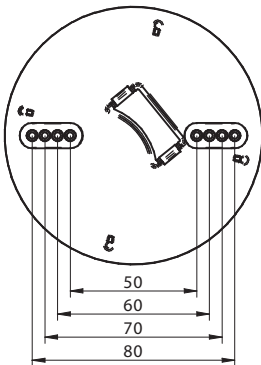


Table 1. Specification

Feature	Value
Supply Voltage (Conventional)	18~35 Vdc
Cable Size/type	0.5~2.5mm / FIRETUF, FP200 or MICC
Current (High Volume)	11mA
Current (Low Volume)	8.7mA
Sound Output (High Volume)	90 +/- 3dB(A)
Sound Output (Low Volume)	80 +/- 3dB(A)

Feature	Value
Operating Temperature	-10 to +55°C (95%RH)
Material	ABS FR Plastic
Environmental Category	Type A= IP21C
Tones	3, See section 4.
Flash Rate	0.5Hz (Not applicable to FXN5023S)
Flash On Period	60ms

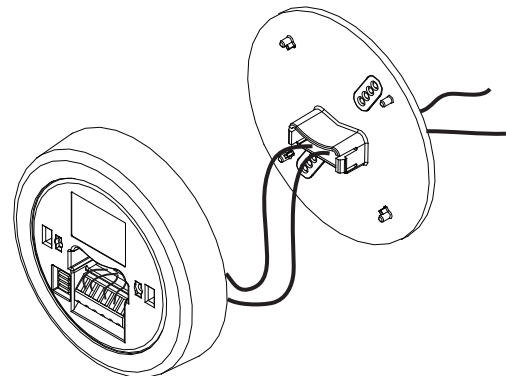
1. Mounting Base



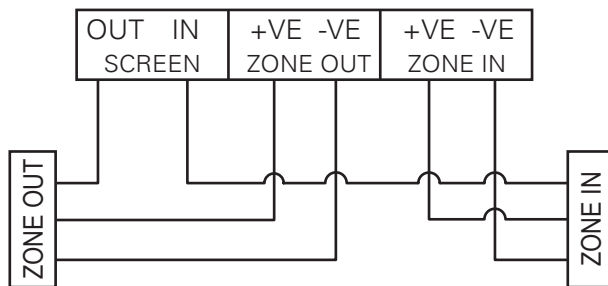
- (i) Knock-out the required fixing holes.
- (ii) Fix to mounting surface using two suitable screws.
- (iii) Please ensure all cable entry points are sealed appropriately.

If the base deforms on an uneven surface, loosen the screws or move to a flatter position.

2. Sounder/ Beacon Assembly

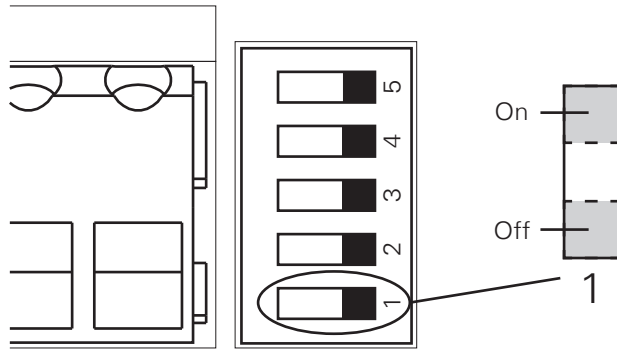


3. Connection Details



Screen must be continuous along entire length of loop.

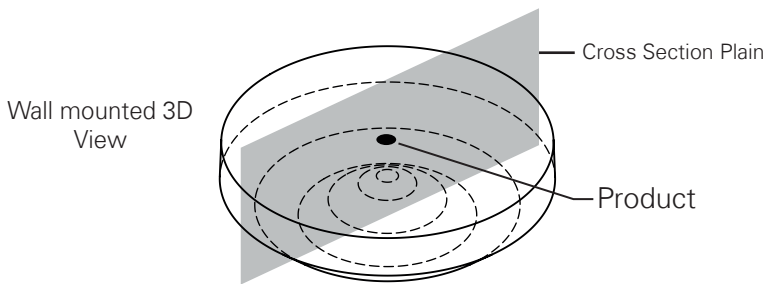
4. Switch Position Meaning



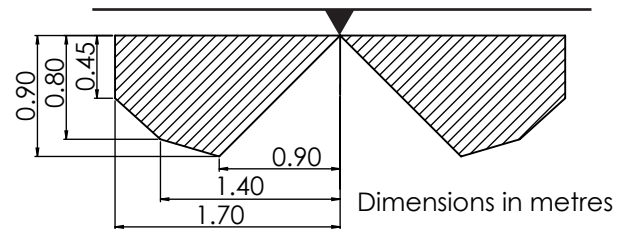
- 1, Sounder On/Off (AV version only)
- 2, Volume Hi (Off)/Low (On)
- 3, Tones { Continuous: 3=On, 4=On (910Hz)
Bell: 3=On, 4=Off (1440 Hz)
- 4, Tones { Alternating: 3=Off, 4=On (610 / 910 Hz)
- 5, Mode: On = N/A* Off = Conventional

*Switch 5 must be set to 'Off' in order to operate

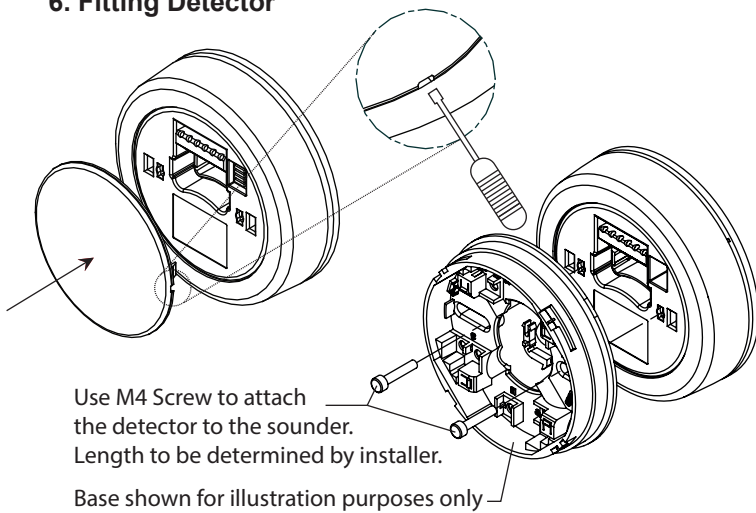
5. VAD Coverage Area



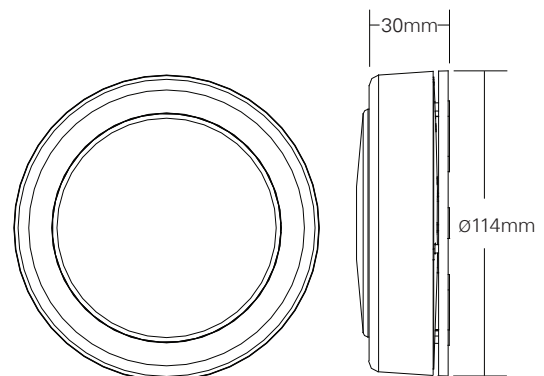
Cross-section View (metres)



6. Fitting Detector



7. Dimensions



Cooper Fulleon Ltd.
Llantarnam Park,
Cwmbran,
Gwent,
NP44 3AW,
United Kingdom
www.cooperfulleon.com

Eaton Industries Manufacturing GmbH
Electrical Sector EMEA
Route de la Longeraie 7
1110 Morges, Switzerland
Eaton.eu

© 2014 Eaton
All Rights Reserved
Made in the U.K.
Publication No. 25-12947-A
September 2014