

# Solista LX Ceiling

The Solista LX Ceiling has a unique lens design that distributes the light in a cylindrical shape, achieving the required illumination of EN 54-23. Designed for installation at a height of 3m and with a discrete appearance, the device is ideal for a variety of applications.

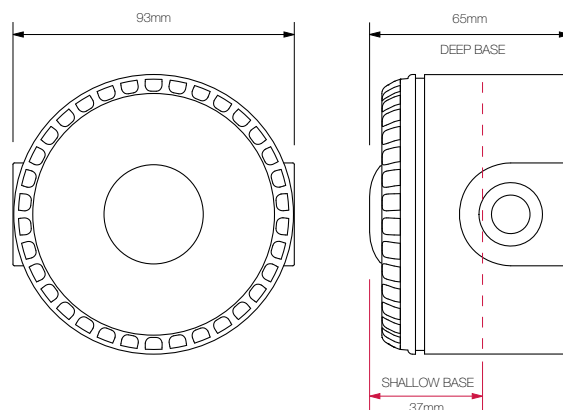
EN 54-23 coverage reference C-3-7.5

Minimum Current consumption 12mA

## Technical Specification

Mounting Type	Ceiling
Voltage	9 – 60VDC
Current	12 – 25mA dependent on setting* (White Flash)
Coverage (y)	7.5m (Switchable to 5m)
Mounting Height (x)	3m (max)
Coverage Volume Code	C-3-7.5
Coverage Volume	132m <sup>3</sup> (58m <sup>3</sup> )
Flash Rate	1Hz (Switchable to 0.5Hz)
Operating Temperature	-25°C - + 70°C
Monitoring	Reverse Polarity
Protection	IP21C Shallow Base IP65 Deep and U Base
Weight	100g
Body Colour	White or Red
Flash Colour	White, Red or ChromaPlus™

\*Nominal results. Please see the Cooper Fulleon website for the latest update.



## Feature

- Conforms with EN 54-23
- LED technology
- Unique optics for light management
- Up to 7.5m coverage volume
- Coverage switch
- Flash rate switch
- Wide input voltage range
- Soft start up
- New connection layout
- Locking Bases

## Benefit

- Meets the required illumination 0.4 lux over entire area
- Long service life and low current consumption
- Unique lens design maximises light dispersal, minimising power wastage
- Reduces the number of devices required to cover an area
- For smaller areas switch down from 7.5m to 5m. Reducing power consumption by up to 50%
- 0.5Hz or 1Hz setting, reducing power consumption by up to 50%
- Flexibility in system design
- Reduced current peak at start up, reducing circuit loading
- Easier wiring and connection on installation.
- Prevents easy removal of device