

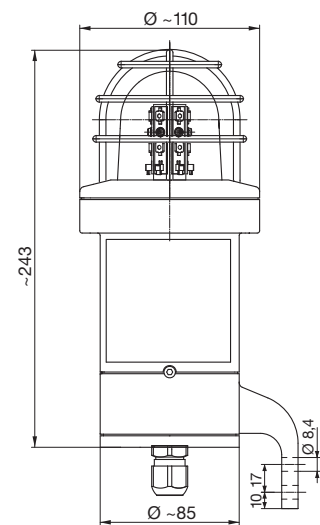
# dSLB - Ex Signalling LED Beacon

New to the market the dSLB is designed to withstand difficult and hazardous conditions. Tested for environments with an explosive atmosphere ATEX as well as Hazardous Locations, Hazardous Areas and Explosive Atmospheres through IECEx, it is the ideal product for any industrial application.



## Technical Specification

Voltage	24Vdc, 80-265 VAC
Current	550mA @ Continues 24VDC 125mA @ Continues 230VAC 190mA @ Continues 120VAC
Flash	Rotate, flash, blink, steady
Light Source	LED
Temperature	-55°C to +55°C
Protection	II 2 G Ex de IIC T6 II 2 D Ex tD A21 IP66 / IP67
Construction	Aluminium, hard glass dome and protective, steel basket
Weight	2.0 Kg
Lens Colour	Red, amber



## Feature

- Housing Seawater resistant aluminium
- Used in hazardous areas of Zone 1 - Gas
- Used in hazardous areas of Zone 21 - Dust
- Flash blinking and rotation

## Benefits

- Internal or external use
- Suitable for use in the harshest of environments
- Long life, low maintenance light source
- High visibility with no glare

## Reference

DSL/LED/YB/RED/24VDC  
DSL/LED/AB/AMBER/24VDC  
DSL/LED/YB/RED/230VDC  
DSL/LED/AB/AMBER/230VDC

## Catalogue No.

F22492202  
F22492203  
F22492402  
F22492403

## Description

Ex LED-Signal Light dSLB20 LED, 24Vdc, Amber Body, Red Lens  
Ex LED-Signal Light dSLB20 LED, 24Vdc, Amber Body, Amber Lens  
Ex LED-Signal Light dSLB20 LED, 80-265Vac, Amber Body, Red Lens  
Ex LED-Signal Light dSLB20 LED, 80-265Vac, Amber Body, Amber Lens