

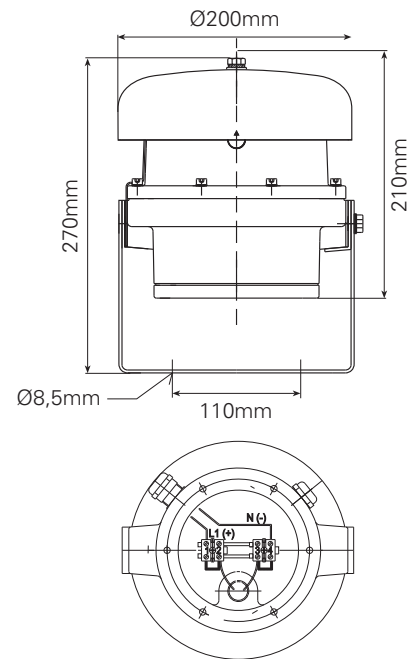
DGW21 Ex Signalling Bell

With a GRP housing the dGW21 signalling bell is suitable for use in Zones 1 and 2 and 21 and 22. The GRP housing provides weather resistance to IP66 and can be wall or ceiling mounted using the supplied adjustable mounting bracket.

ATEX GOST

Technical Specification

Voltage	24Vdc 230Vac
Current	350mA @ 24V 55mA @ 230Vac 50Hz
Gong size	200mm dia (7.9")
Sound output	105dB(A) @ 1m
Temperature	-20°C to +40°C
Protection	IP66
Construction	Gong -steel base - glass reinforced polyester
Weight	3.5Kg
Colours	Base - black gong - grey



Features

- Exde, Zone 1 and Zone 2 use
- Output up to 105dB(A)
- GRP housing
- IP66 protection

Benefits

- Suitable for explosion protected applications
- Suitable for use in high ambient noise levels
- Corrosion free low maintenance construction
- Internal or exposed external use

Reference

HWB/200/GG/BB/24VDC
HWB/200/GG/BB/230VAC

Catalogue No.

91024210
91230110

Description

Ex Signalling Bell dWG21 ATEX 200mm, Grey Gong, Black Body, 24Vdc
Ex Signalling Bell dWG21 ATEX 200mm, Grey Gong, Black Body, 230Vac