

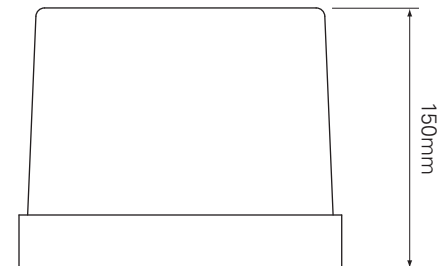
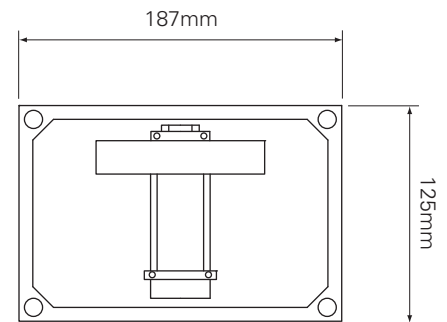
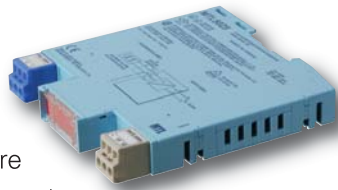
Barriers and Isolators - Intrinsically safe

Intrinsically safe (IS) systems provide safe operation of equipment in hazardous areas by limiting the amount of electrical energy in the circuit to levels where a fault cannot cause a spark that would ignite any explosive atmosphere that could be present. For an IS system to operate correctly, both the barrier or isolator and the devices in the hazardous area must be approved and designed to work together.

ATEX

Technical Specification

Barriers and Isolators both provide power limitations on an intrinsically safe circuit, but work in different ways. Barriers are the simpler, but require secure connections to a dedicated IS earth point. Isolators use more complex electronics but can operate earth-free and are more tolerant of supply voltage. Both Barriers and Isolators must be mounted in the safe area, but as close as possible to the hazardous area.



	ALARM PRODUCT			
	BG3 CALL POINT	DB5 SOUNDER	DB7 SOUNDER	XB8 BEACON
Matching galvanic Isolator	MTL5561	MTL5525	MTL5525	MTL5525
Number of circuits	2	1	1	1
Products per circuit	10	1	1	1
Maximum supply	35Vdc	35Vdc	35Vdc	35Vdc
Isolators per DX070 enclosure	4	4	4	4
Matching shunt barrier	MTL7787+	MTL7787+	MTL7787+	MTL7787P+
Number of circuits	1	1	1	1
Products per circuit	10	1	1	1
Maximum supply	26.8Vdc	26.8Vdc	26.8Vdc	26.8Vdc
Barriers per DX070 enclosure	5	5	5	5

Features

- Isolators and barriers
- IP65 protection
- Multiple products per enclosure
- 24Vdc operation

Benefits

- Matching range of MTL isolators and barriers to suit range of IS products
- Enclosure can be used in most safe area environments
- 4 isolators or 5 barriers can be fitted into the enclosure saving installation
- 24Vdc systems to suit standard fire system operation

Reference

MTL5525
MTL5561
MTL7787+
MTL7787P+
DX070

Catalogue No.

MTL5525
MTL5561
MTL7787+
MTL7787P+
DX070

Description

Isolating Interface & Housing to suit DB5 / DB7 / XB8
Isolating Interface & Housing to suit BG3 Call Point (2 Channel)
Shunt Diode Barrier & Housing to suit BG3I / DB5 / DB7
Shunt Diode Barrier & Housing to suit XB8
DIN Rail Enclosure for Isolators and Barriers