

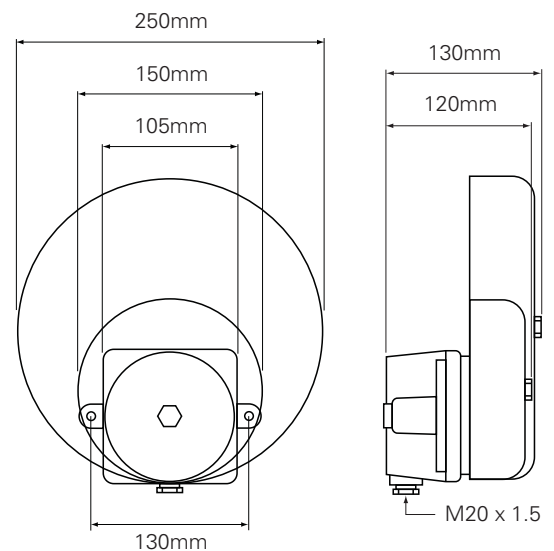
AW Signalling Bell

Industrial signalling bells with either 150mm (6") or 250mm (10") steel gongs, providing clear harmonic rich signals that can be clearly distinguished above ambient noise.



Technical Specification

Voltage	24Vdc 230Vac
Current	350mA @ 24V 60mA @ 230Vac
Gong size	150mm dia (6") 250mm dia (8")
Sound output	100dB(A) @ 1m (150mm) 110dB(A) @ 1m (250mm)
Temperature	-20°C to +60°C
Protection	IP55
Construction	Gong -steel base - corrosion resistant aluminium
Weight	1.45Kg - 150mm gong 2.95Kg - 250mm gong
Colours	Base & gong - grey RAL 7032



Features

- 150mm or 250mm Gong
- 100 to 110dB(A) output
- IP55 protection
- AC or DC versions

Benefits

- Gong size provides different frequencies to stand out from ambient noise
- High output for industrial applications
- Internal or external use
- Versions to suit most common industrial supplies

Reference

AWB/150/GR/24VDC
AWB/150/GR/230VAC
AWB/250/GR/24VDC
AWB/250/GR/230VAC

Catalogue No.

21162113
21162107
21162313
21162307

Description

Signalling Bell AW 2, 24Vdc, 150 FS
Signalling Bell AW 1, 230Vac, 150 FS
Signalling Bell AW 2, 24Vdc, 250 FS
Signalling Bell AW 1, 230Vac, 250 FS